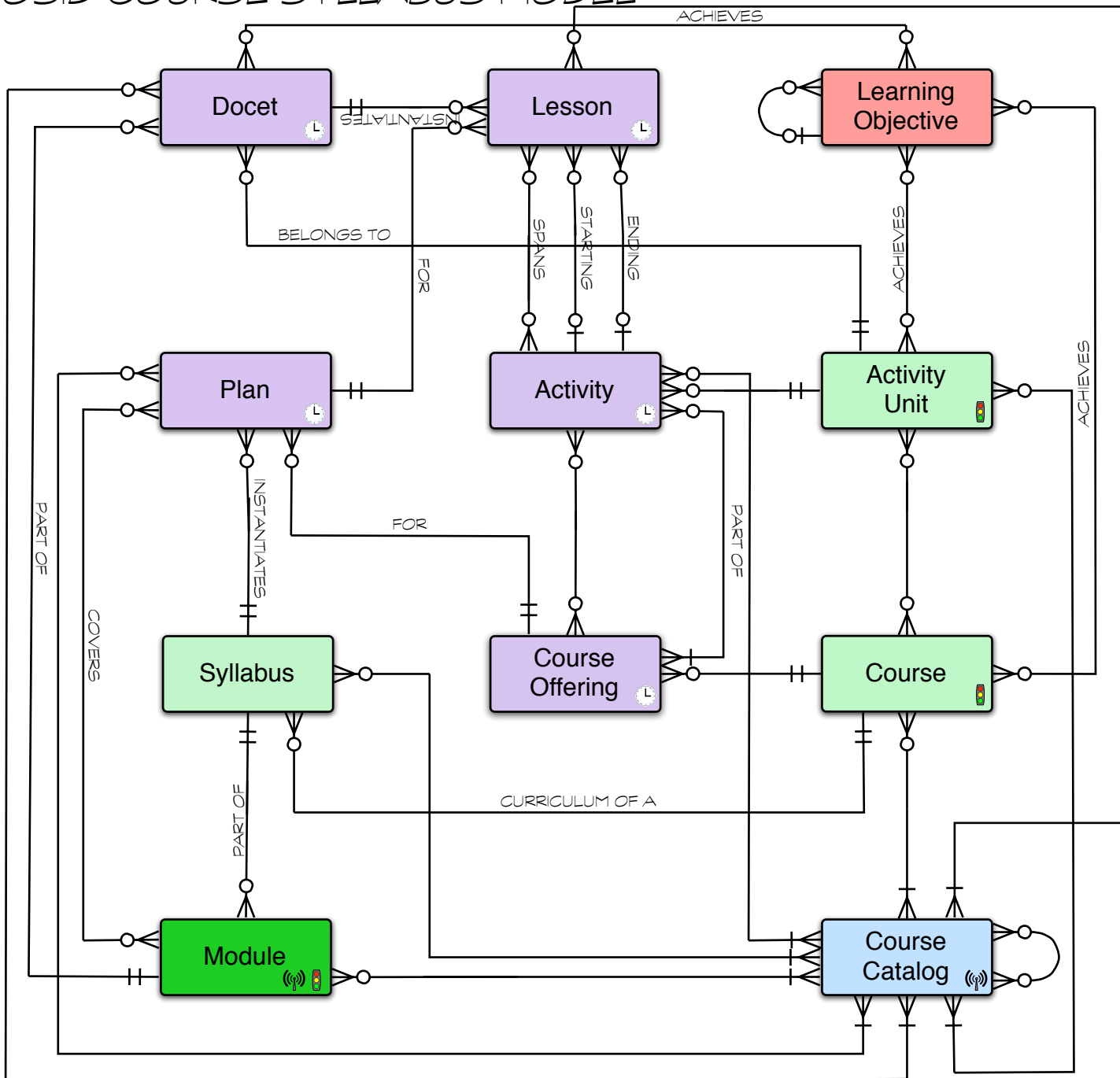


OSID COURSE SYLLABUS MODEL



Lesson

- Duration getPlannedTime()
- boolean hasBegun()
- DateTime getActualStartTime()
- boolean isComplete()
- boolean isSkipped()
- DateTime getActualCompletionTime()
- Duration getActualTimeSpent()

Docet

- boolean isInClass()
- Duration getDuration()
- boolean isOfferable()
- decimal[] getCredits()
- DisplayText getPrerequisitesInfo()

ActivityUnit

- boolean isOfferable()
- Duration getTotalTargetEffort()
- boolean hasContact()
- Duration getTotalTargetContactTime()
- Duration getTotalTargetIndividualEffort()
- boolean isRecurringWeekly()
- Duration getWeeklyContactTime()
- Duration getWeeklyIndividualEffort()

CourseOffering

- DisplayText getTitle()
- string getNumber()
- decimal[] getCredits()
- DisplayText getPrerequisitesInfo()
- boolean requiresRegistration()
- cardinal getMinimumSeats()
- cardinal getMaximumSeats()
- string getURL()
- DisplayText getScheduleInfo()

Activity

- boolean requiresRegistration()
- cardinal getMinimumSeats()
- boolean getMaximumSeats()
- Duration getTotalTargetEffort()
- boolean hasContact()
- Duration getTotalTargetContactTime()
- Duration getTotalTargetIndividualEffort()
- boolean isRecurringWeekly()
- Duration getWeeklyContactTime()
- Duration getWeeklyIndividualEffort()

LEGEND

| | | |
|------------------|-----------------|------------|
| OsidObject | OsidRule | Temporal |
| OsidRelationship | OsidCatalog | Operable |
| OsidGovernator | External Entity | Sourceable |
| OsidCondition | OsidResult | |
| OsidCapsule | | |